

# RVs and Wood Floor *Quick-N-EZ*

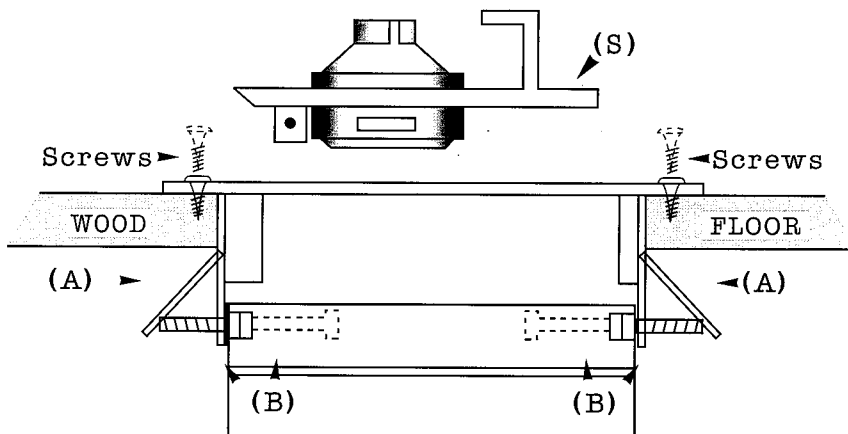
We have designed and patented the *Quick-N-EZ* which allows our B-rated steel floor safe to be either installed in an RV or the wood floor of a house or business. Especially effective in an RV, our *Quick-N-EZ* method for installing a safe allows the traveler to have peace of mind while leaving the vehicle unattended for several hours. Many who live in a home with only a wood floor foundation, or the desire to have the safe installed on the second floor or countertop, the *Quick-N-EZ* has done away with heavy brackets saving the owner hundreds of dollars in unnecessary expenses.

## RV and Wood Floor Safe Features

- ▲ Excellent burglary and earthquake protection when installed in wood floor.
- ▲ Patented *Quick-N-EZ* installation process in 15 minutes.
- ▲ Patented sliding door for extra security against break-in.
- ▲ .005" layer of powder coating to alleviate rust damage and scratching.
- ▲ Drill resistant hardplate protecting both lock and both mechanism.
- ▲ Dust cover providing easy access to door and flush floor finishes.

## *Quick-N-EZ* Safe Installation

Locate a space in the wooden floor of your home, RV, office, etc., that will be large enough to house the EZ Safe of your choice. Cut a square hole in the wooden floor using outside dimensions for corresponding model number on steel security door (S). Drop safe into the floor with the handle



on the steel security door (S) facing you. Next, screw the safe to the floor, using small screws at the center top edge of the safe. These screws hold the safe in position while completing installation. Remove the steel security door. Screw bolts (B) into nuts located on the walls inside safe. As you turn bolts (B), wings (A) will bend under floor,

firmly securing the safe to the floor. If wings (A) hit joists or other obstructions, measure threads showing on screws inside the safe and cut excess threads off the screws or use shorter screws.

